

## Double-Layer FSS (Square Ring)

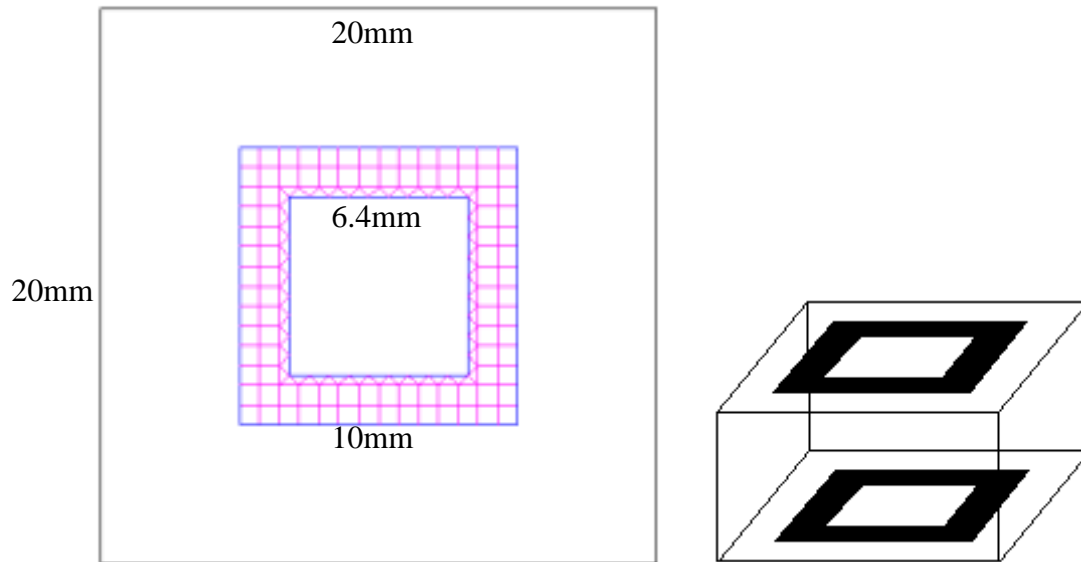
### Parameters:

Substrate: Thickness = 1mm,  $\epsilon_r = 3.5$

Plane Wave Excitation: TE mode,  $\theta = 0^\circ$ ,  $\phi = 0^\circ$

Frequency: 6-16GHz

Sampling Rate: 20 for regular regions, 50 for discontinuities



### Literature:

Shaker and Shafai, "Removing the Angular Sensitivity of FSS Structures Using Novel Double-Layer Structures", IEEE Microwave and Guided Wave Letters, Vol.5, No.10, Oct 95, p.324-325

Results:

